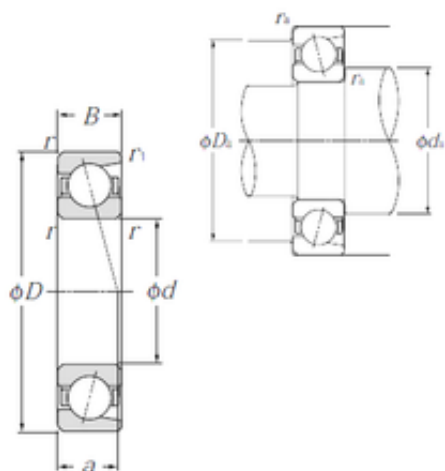




BEARING INYIA PRIVATE LTD.

NTN 7217b Angular Contact Ball Bearing 7204, 7206, 7208, 7210



Bearing No. 7217b

Size	85x150x28 mm
Bore Diameter	85 mm
Outer Diameter	150 mm
Width	28 mm
d	85 mm
D	150 mm
B	28 mm
C	28 mm
Angle (°)	40 °
a	63,5 mm
r min.	2 mm
r1 min.	1 mm
da min.	95 mm
db min	90,5 mm
ra max.	2 mm
Weight	1,82 Kg
Basic dynamic load rating (C)	90 kN
Basic static load rating (C0)	80,5 kN
(Grease) Lubrication Speed	4 000 r/min
Contact angle	40 °
rs min	2 mm
r1s min	1 mm
Mass	1.82 kg
Dynamic load, C	90 kN
Static load, C0	80.5 kN

7217b Bearing 2D drawings and 3D CAD models



BEARING INYIA PRIVATE LTD.

Fatigue limit load, Cu	3.4 kN
Nlim (oil)	5,300 rpm
Nlim (grease)	4,000 rpm
Min operating temperature, Tmin	-40 ° C
Max operating temperature, Tmax	120 ° C
da min	95 mm
Da max	140 mm
Db max	144.5 mm
r1a max	1 mm
ra max	1 mm
Category	Angular Contact Ball Bearings
Inventory	0.0
Manufacturer Name	NTN
Minimum Buy Quantity	N/A
Weight / Kilogram	1.855
EAN	4547359445541
Product Group	B00308
Enclosure	Open
Flush Ground	No
Rolling Element	Ball Bearing
Number of Rows of Balls	Single Row
Precision Class	ABEC 1 ISO P0
Maximum Capacity / Filling Slot	No
Snap Ring	No
Cage Material	Steel
Contact Angle	40 Degree
Internal Clearance	C0-Medium
Number of Bearings	1 (Single)
Inch - Metric	Metric



BEARING INYIA PRIVATE LTD.

Long Description	85MM Bore; 150MM Outside Diameter; 28MM Width; Open; No Flush Ground; Ball Bearing; Single Row of Balls; ABEC 1 ISO P0; No Filling Slot; No Snap Ring
Category	Angular Contact Ball Bearing
UNSPSC	31171531
Harmonized Tariff Code	8482.10.50.28
Noun	Bearing
Keyword String	Angular Contact
Manufacturer URL	http://www.ntnamerica.com
Manufacturer Item Number	7217B
Weight / LBS	4.097
Outside Diameter	5.906 Inch 150 Millimeter
Bore	3.346 Inch 85 Millimeter
Width	1.102 Inch 28 Millimeter
bore diameter:	85 mm
radial static load capacity:	80500 N
outside diameter:	150 mm
operating temperature range:	-40 to 120 ° C
overall width:	28 mm
cage material:	Steel
contact angle:	40 °
outer ring width:	28 mm
row type & fill slot:	Single-Row Non-Fill Slot
maximum rpm:	5300 rpm
internal clearance:	C0
finish/coating:	Uncoated
bore type:	Round
precision rating:	ISO Class 0



BEARING INYIA PRIVATE LTD.

closure type:	Open
fillet radius:	2 mm
snap ring included:	Without Snap Ring
series:	72B
bearing material:	High Carbon Chrome Steel
weight:	1.854 kg
radial dynamic load capacity:	90000 N
manufacturer product page:	Click here